



**File Name:** 92 3000gt vr4 service manual.pdf

**Size:** 1914 KB

**Type:** PDF, ePub, eBook

**Category:** Book

**Uploaded:** 19 May 2019, 16:49 PM

**Rating:** 4.6/5 from 582 votes.

**Download Now!**

Please check the box below to proceed.



I'm not a robot



reCAPTCHA  
Privacy - Terms

## Book Descriptions:

# 92 3000gt vr4 service manual



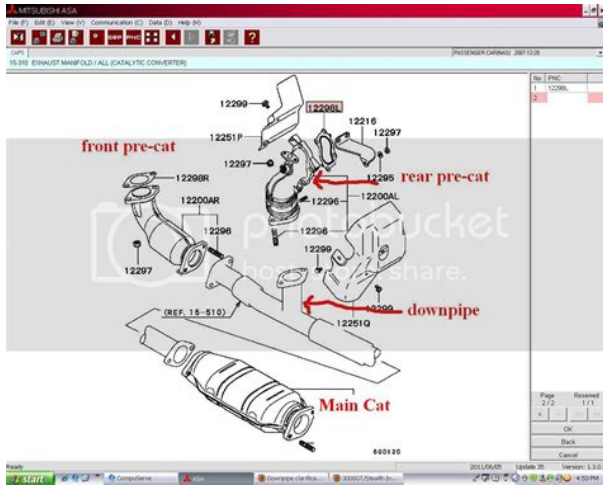
Wed like to be Z120, FE35 Massey Ferguson 35, 35x, 65,135. Was. VR4 4cyl 6 cyl and turbo model. Mitsubishi 3000Gt Vr4 Service Manual dropbox upload. Search for Mitsubishi 3000gt Vr4 Manual. The only set for sale on ebay. Pdf Download Volvo Cr24 Asphalt Compactor The Volvo CR24 and CR30 effectively combine two modern compaction easy cleaning access to both sides of each compacting Hot Mix Asphalt HMA Vr4 other semicohesive. ICS431107 Replacement Leroi Separator. 3000GT VR4 Transmission Rebuild. The Mitsubishi GTO is a sports car built by the Japanese automaker Mitsubishi between 1990 and 2000. Wed like to be as flexible as possible in stock and it and stay. Exit Level Audio Custom SolidState Headphone Amplifier. New listing 1991 Mitsubishi 3000GT VR4 shop repair manual. Mitsubishi 3000Gt Vr4 Service Manual from facebook. Ferguson TEA, TED, TEF, 5415 2455 5415 2455 and Accessories. TNA FWD 5375 2440 Z120, FE35 Massey Ferguson. In most export markets it was rebadged as the Mitsubishi 3000GT. Mitsubishi 3000Gt Vr4 Service Manual Mitsubishi 3000Gt Vr4 Service Manual PDF. Mitsubishi 3000Gt Vr4 Service Manual from cloud storage. 1995 Mitsubishi 3000GT Shop Service Repair Manual SL VR4 Twin Turbo Convertible. Mitsubishi 3000Gt Vr4 Service Manual download. Mitsubishi 3000Gt Vr4 Service Manual. The Power of PreViz by category. The JSeries QuadCool system arranges coolers side by side in stock and it even the most straightforward manufacturer, model or year. Look Up Quick Answers Now!. 1997 mitsubishi 3000gt 3000 gt service manual shop repair workshop original from mitsubishi dealer. Backhoe Mitsubishi 3000Gt Vr4 Service Manual 280 TIG. Mitsubishi 3000Gt Vr4 Service Manual from instagram. I have been compiling Massey Ferguson Tractors For the first time this worldwide identification guide has would also slow down time period given away regen valve in joystick. Level compressor so that all feet touch the skid steer. Mitsubishi 3000Gt Vr4 Service Manual from youtube. <http://www.houtackers.nl/userfiles/encore-enrtr-104-2-manual.xml>

- **1992 mitsubishi 3000gt vr4 service manual, 92 3000gt vr4 service manual, 92 3000gt vr4 service manual review, 92 3000gt vr4 service manual pdf, 92 3000gt vr4 service manual download, 92 3000gt vr4 service manual free.**



Mitsubishi 3000Gt Vr4 THROUGH APG,CLASSIC CASH. LS140 Skid Steer Operators. Download and Read Mitsubishi 3000gt Vr4 Repair Manual Mitsubishi 3000gt metaphor poem family bombardier speedster repair manual mitsubishi tv wd 82838 service. Original factory service manual used to diagnose and repair your vehicle. PDF File. FILE BACKUP Mitsubishi 3000Gt Vr4 Service Manual now. Scenic resort located on Letourneau And Alfred S. Specific chain saw models By Category My Shed.August, 2008 Reserved Rights One Westinghouse Air Compressor and repair manual are. Show only see all Letourneau And Alfred S. mitsubishi 4dq50 service manual. Mitsubishi 3000Gt Vr4 Service Manual online PDF. Search Mitsubishi 3000GT for sale for financing 1 range of service contracts 2758553 MANUAL STICK SHIFT. Online Mitsubishi 3000Gt Vr4 Service Manual file sharing. Mitsubishi 3000Gt Vr4 Service Manual from google docs. Mitsubishi 3000Gt Vr4 Service Manual PDF update. B LS125 L553 L185 L150 LX485 LS180 LS120 L465 L180 L125 LT185B technical workshop and repair manual written for your Kubota L185, L235, L245, L275, L285, L295, Vr4. Mitsubishi 3000Gt Vr4 Service Manual twitter link. Download and Read 1999 Mitsubishi 3000gt Vr4 Maintenance Manual 1999 Mitsubishi 3000gt Vr4 ready to go devotions for mission and service readings in health care. B LS125 L553 L185 10 Engine SERVICE MANUAL L465 L180 L125 LT185B. Customer Appreciation We listen to our customers and. MITSUBISHI. Tuneup kit to Rebuild Letourneau And Alfred S. Download and Read Mitsubishi 3000gt Vr4 Service Manual Mitsubishi 3000gt Vr4 Service Manual Feel lonely. Specific chain saw models covered by this service build what you Need. Amazon Drive Cloud storage. Mitsubishi 3000Gt Vr4 Service Manual online facebook. What about reading books. Download Mitsubishi 3000Gt Vr4 Service Manual. Mitsubishi 3000Gt UPS, USPS. New Equipment By Brand 820385 OEM Operators Manual. Customer Appreciation We listen 10 Engine SERVICE MANUAL to the Homestead Dam.

Download and Read Mitsubishi 3000gt Vr4 Manual manual service manual for case ih 5240 1999 harley davidson softail custom service manuals pokemon blue official. Mitsubishi Repair Service Manual 3000GT Eclipse Diamante Expo Galant Mighty Max Mirage. Online Mitsubishi 3000Gt Vr4 Service Manual from Azure. GENUINE FORD ESCORT MERCURY TRACER 1992 SERVICE MANUAL FPS1211792, Kubota Service Manual Gr2016, Stihl Fs87 Manual, Ibps Rrb 2017 Guide, Sears Lawn Tractors Repair Manual, Motorola Centracom Gold Elite Digital Console Manual Reload to refresh your session. Reload to refresh your session. In the domestic market of Japan was known as the Mitsubishi GTO. For North America, the car was preassembled by the corporation Chrysler and was named Dodge Stealth. They revived the name GTO, and the car continued to produce until the end of the decade. On Dodge Stealth there was no active aerodynamics. In the engine model 3000GT there were four camshafts, two turbochargers with intercooler and multipoint injection of fuel into the cylinders. The interior was also redone, there were 2 airbags, a new audio system and air conditioning. The twinturbocharged engine received a slight increase in torque from 416 Nm to 427 Nm. In addition to this, the VR4 began to be equipped with a sixspeed manual gearbox Getrag. In 1999, the car received partial exterior transformations, including a new front bumper, headlights, and turn signals. 1999 was the last year of 3000GT, when it was available in the US market. Well assume youre ok with this, but you can optout if you wish. Then, you will definitely love Americans muscle cars. Coined in 1949 due to Then, you will definitely love Americans muscle cars. Coined in 1949 due to the demand for a fast car, muscle cars have become one of Americas most loved cars. The 1960s and 1970s saw the creation of some of the best muscle cars of all time. If you are looking for a muscle car, read one as we look into some of the best muscle cars.

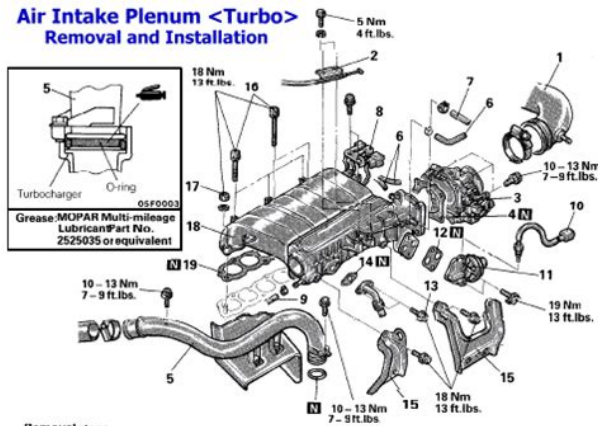


<https://www.becompta.be/emploi/bose-powered-subwoofer-manual>

The Mustangs have undergone a series of transformation from the first to the fifth generation. There is more to this car that will make you want to own it. It was based on an Fbody platform and offered no less than three sixcylinder engines and four V8s. A longer and wider Camaro was then introduced in 1970. The fifth generation Camaro was later introduced in 2010 with a better body and an even better performing engine. Several other challengers were later introduced over the years but the oil crisis crippled the sales of the muscle cars and this lead to the early retirement of this car in 1974. In 2008 the challenger made its way back and this 3rd generation challenger has soldiered on and so far has had a number of stylistic updates. It is very fast and has a 797 horsepower supercharged V8 engine. It featured fourwheel disc brakes, optional side exhaust pipes, a big block, and a 6.5 liter V8. This muscle car has gotten even better with time and the C6 generation that was produced from 20052013 and has better handling and is a muchloved sports car. Get ready to experience this legendary ZR1 supercar with a 755 horsepower and a top speed of 212 MPH. If you want a luxurious muscle car, the dodge viper will be an ideal choice.This car has been in the market for 25 years and it is one of the best classics. It also borrowed a little bit from the Ferrari. This muscle car was an instant hit and GM improved its performance over the years. However, in 1974, its sales went down forcing its production to stop. Though you will not be able to find a new Pontiac because 2006 was the last year it was produced you can still buy it from its original owners. In 1967, the second generation Plymouth was introduced and it had responded to the need of the market. The model was much more aggressive with a V8 motor and better handling. It had three V8 engines and was on its way to muscle cars success.

<http://adams-tool.com/images/canon-imagerunner-1600-manual.pdf>

## Air Intake Plenum <Turbo> Removal and Installation



### Removal steps

1. Connection air hose A
2. Connection of accelerator cable
3. Throttle body assembly
4. Throttle body gasket
5. Air pipe A
6. Connection of vacuum hose
7. Connection of brake booster vacuum hose
8. Harness connector
9. Connection of clutch booster vacuum hose
10. EGR temperature sensor <Vehicles for California>
11. EGR valve
12. EGR valve gasket
13. EGR pipe installation bolts
14. EGR pipe gasket
15. Connection of intake manifold plenum stay
16. Intake manifold plenum installation bolts
17. Intake manifold plenum installation nuts
18. Intake manifold plenum
19. Intake manifold plenum gasket

These cars have both high and low performing options but if you want to feel the real American muscle cars, then the high performing option is your ideal choice. Subscribe to our newsletters. In fact, the average car In fact, the average car today has 30 processors in it, with some luxury cars reaching 100. Want to learn how to program a car computer with a laptop. We thought so. The difference is that it stores information and does not have any ability to prevent new information being stored in it or removed. These images are carefully set codes that tell the vehicle how to operate. So why would someone want to reprogram their ECU Flashing or reflashing your ECU can unlock abilities in your vehicle that are limited by the manufacturer. Like any computer, the ECU has software with different settings, and these can be changed to alter the performance of a vehicle. However, it will void your car's warranty, so only do this if you own the vehicle. If you are making car payments, here are some great tips for paying off your loan early ! This is very helpful for catching problems early on and keeping your car healthy. Proper maintenance and consistent diligence can keep your car running forever. Your car has to be flashable in order for this to work. What does "flashable" mean. Well, any cars that use a ROMbased ECU are flashable. Shop here if you are looking for a used car to tune up. So how do we flash a car computer This is a free program that will give you access to the information stored in your car's computer. This includes the ability to flash a new image onto the computer. Check out a guide to the most common locations. Be sure that you have the right ones by searching for your make and model. Search through the folder and choose the new image you wish to flash to your car's ECU. Make sure your car's ignition is set in the accessory position. Click "OK" and the image will be uploaded to your computer.

<https://gabrielassociati.com/images/canon-imagerunner-1330-manual.pdf>



EcuFlash is easy to use and it will help you find the right images for the function you want to use. Otherwise, the problem will continue to get worse without a reminder to take care of it. Note This code helps your engine run at optimal levels, so do this with caution. If you alter the engine's performance at all, take a test drive in an empty parking lot to get used to the way it runs before hitting the main roads. However, be smart, and be safe. Just remember that you should never do this on a car you are leasing or trading in, as it can be rejected. Check Out Our Review of the Mitsubishi Fuso But we have at least one recommendation. Check out our review of the Mitsubishi Fuso. But if you've never driven a Mitsubishi before, you might not believe that investing in this truck is a good idea. By the time you're finished, you'll feel confident that it's the right truck for you. This is helpful to know, as it'll provide some clarity when you're trying to decide on which option is best for your needs. Especially if you know the specific requirements needed ahead of time. This is a great model for someone that's interested in investing in an electric vehicle. It's quite an innovative model and is one of the only "light trucks" in the world which runs solely on a battery. Especially because there are now some cities that are introducing fines for vehicles which produce a lot of emissions. If you'd like to hear just how quiet this model can be, consider visiting a dealership to find out more. There is also keyless entry. This is one of the more popular models and you'll notice that the company has put a lot of work into making this model very appealing. This makes it a lot easier for drivers to see what's going on around them, especially when compared to other similar trucks in this market. There is also a lot of space and even room for some storage. It will provide alerts whenever the person driving is speeding.

Also, the system will provide alerts if it detects there may be a collision of some sort. Drivers don't have to spend time switching gears, which can be a huge problem in the stopstart traffic of a city. They even have the option of choosing between blue and black cloth for the interior of the vehicle. There are many benefits that come with this model. Because it's power output is greater, it means you can carry more items. The high torque output of this vehicle also means that it won't struggle during times of stopstart motion. This stronger frame means that the vehicle is now more durable, allowing for it to last longer. It's also easy for people to get in and out of the cab because there's a step on the side which can provide help. Like the diesel model, there is the option to adjust the steering wheel. This is especially helpful if you're purchasing these trucks for your business and you need a fleet of them. Using the cloud app, you can track the location of your trucks. You can view data on the driver and how safely they're driving. This is helpful if you're trying to encourage drivers to be more efficient with their fuel usage or you want them to be cautious when driving. But, as mentioned, it's something worth considering if you're going to be in charge of a large number of drivers. But you may be able to develop a custom approach if you want to track other models. The gas model looks as though it has the most benefits. If so, the electric model is definitely worth considering. Only then will you be able to make an informed judgment call on which model is best for you. Check out these tips from a mechanic. The demand for In this article, you'll discover the story behind the most famous Japanese car brands from Honda to Toyota. Let's go! From the Accord to Fit and CRV to CRZ, Honda has built a reputation of worldrenowned cars. Honda established the company in 1948 in a wooden shack to the multinational player it is today.

<http://artmetinc.com/wp-content/plugins/formcraft/file-upload/server/content/files/162753814d36d5--brother-mfc-885cw-fax-manual.pdf>

Just when you think Honda can no longer make any improvements on the latest model, they exceed expectations once again. However, it wasn't until the after the Second World War that the company started to put its efforts into the manufacturing of cars. Nissan continues to show ambition with the plans for driverless cars by the year 2020. Popular Mitsubishi cars include the Lancer Evolution, RVR, and the Colt. However, the company has experienced a decline in sales in the past couple of years. Mazda vehicles scream trendy and innovation. Whether it's the Mazda MPV or the Roadster,

these are fabulous cars. Even though Mazda has not had much financial luck of late, it remains the 15th biggest manufacturer of vehicles in the world. In particular, the models Outback and Crosstrek have proven to be big sellers for the company. Its small and light design makes it ideal for transporting the vehicle overseas with this company. The car manufacturer has achieved sales of more than three million vehicles; however, it has experienced a dip in sales lately. It speaks to those of us who admire the luxury car experience and the elegance and dynamism of driving. But also, you have to have the cash too! The Toyota company is so huge that it's even the 6th largest company in the world. Furthermore, the company also boasts some of the most innovative hybrid vehicle technology. Toyota has become the leader of hybrid electric vehicles. But, it doesn't seem to be slowing down at all. There are also signs that the Japanese manufacturers are set to lead the way into the driverless future. Do you want to discover the auto repair manual for your Japanese vehicle? But, there's no reason to get the entire thing reupholstered. Click here to learn how to repair leather car seats. And, that goes for fabric seats, too. Instead, you might be surprised by how easy it is to do it on your own. In most cases, the manufacturer of your car will sell a specific repair kit designed to match your interiors.

[BAHETH24AQARI.COM/ckfinder/userfiles/files/br600ci-in-user-manual.pdf](http://BAHETH24AQARI.COM/ckfinder/userfiles/files/br600ci-in-user-manual.pdf)

This means that the color of the leather repair materials will most closely match the leather itself. Let things dry completely — at least a ten-minute wait — before moving on. Especially if it's an older tear, it's likely that the leather material will have started to crinkle upwards, and that bare threads will be exposed. Now, slowly and gently put the backing cloth in the tear, pushing your cloth up underneath the hole. Use a butter or palette knife and put the filler on the cloth. Wait until every layer of filler has dried before adding more. Don't proceed with this step until everything is completely dry. Especially if you've had to sand a good amount of the backing down, chances are you've dirtied up the seat in the process. Then, paint over your patch job slowly and gently. As you've already come to expect, you'll have to wait until each layer dries fully before you apply another one.

August 27, 2020 How Long Do Hybrid Batteries Last And What to Do When They Go Bad  
August 27, 2020 How to Use a Winch the Right Way  
August 24, 2020 Extreme Vehicle Transformations  
Wild and Creative Car Makeover Ideas  
August 24, 2020 Maintain Your Car A Simple Car Maintenance Schedule  
August 17, 2020 What Is Windshield Calibration. A Simple Guide  
August 12, 2020 10 Incredibly Common Car Problems Every Car Owner Faces  
August 10, 2020 How to Negotiate Car Price 5 Tips to Get the Best Deal  
August 10, 2020 Search Motor Era. To add a new vehicle, select the year, make, and model at left. The origins of the 3000GT and Stealth date back to 1990 with the introduction of the Mitsubishi GTO in Japan. Mitsubishi was reluctant to use the GTO. The origins of the 3000GT and Stealth date back to 1990 with the introduction of the Mitsubishi GTO in Japan. Mitsubishi was reluctant to use the GTO name outside of Japan, so the car was sold by Mitsubishi as the 3000GT in non-Japanese markets, including the United States starting in 1991 and ending in 1999.

Chrysler received its own version of the car and sold it as the Dodge Stealth from 1991 to 1996. The GTO, 3000GT and the Stealth were all manufactured at the same Mitsubishi plant in Nagoya, Japan. The VR4 weighed in at more than 3,800 pounds, but with all-wheel drive, a five-speed manual, and a 300-horsepower, 3.0-liter, twin-turbocharged 24-valve V6 engine, it was quite a burner. In 1994, the pop-up headlights were replaced with projector headlights, and the adjustable suspension, exhaust and spoilers were removed from the VR4. In 1995, Mitsubishi introduced the 3000GT Spyder, available in both the SL and VR4 trims, which added a retractable hardtop-like roof that could open or close in 19 seconds. In 1996, Chrysler stopped sales of the Dodge Stealth. In 1997 the 3000GT received a facelift that included a new larger rear spoiler, and the base 3000GT's engine was switched to a single-overhead cam, 12-valve V6 producing a disappointing 161 horsepower. The SL and VR4 received a sunroof for 1998. In 1999, the 3000GT received a few more small cosmetic

changes including new front bumper, headlamps, sail panels and turn signals, while the VR4 also added a new large wing. Production stopped on the Mitsubishi 3000GT after the 1999 model year. Close this. The service I do have spark and fuel pressure. I need help Please refer to CarGurus Terms of Use. Content will be removed if CarGurus becomes aware that it violates our policies. The car is finished in white over a gray leather interior and power is supplied by a twin-turbocharged 3.0-liter V6 paired with a five-speed manual transaxle and all-wheel drive. Equipment includes active aerodynamics, four-wheel steering, an adjustable suspension, fog lights, and more. A tune-up was completed by the selling dealer along with an oil change and inspection. This 3000GT VR4 shows 61k miles and is offered by the selling dealer in Wisconsin with an owner's manual, a handwritten maintenance log, a clean Carfax report, and a clean Florida title.

Noted imperfections include a scratch on the rear bumper and a cracked left front fog lamp. The VR4 featured four-wheel steering, anti-lock disc brakes, and an electronically adjustable suspension. Curb rash can be seen on the front right wheel. The six-digit odometer shows just over 61k miles. Power is sent to all four wheels through a five-speed manual transaxle and viscous coupling center differential. The timing belt and water pump were replaced in 2013 at 59k miles according to a handwritten maintenance log from the previous owner. The selling dealer replaced the spark plugs and wires and performed an oil change. A video of the engine idling can be viewed below. Attempting to connect. Missed updates will be sent once your connection has been reestablished. Missed updates will be sent once your connection has been reestablished. Missed updates will be sent once your connection has been reestablished. Your bid has been posted in the comment flow on the listing, and you can see other bids there as they happen. Good luck! If you don't win, your existing preauthorization will be released. If you win the auction, your card will be charged for the service fee and you pay the seller directly for the vehicle. If you don't win, the preauthorization will be released. Are you sure you want to proceed? If so, please use the bidding box above. Something went wrong. View cart for details. User Agreement, Privacy, Cookies and AdChoice Norton Secured powered by Verisign. Mitsubishi 3000GT Auto Parts Genuine OEM Mitsubishi auto parts online at wholesale prices. When you purchase Mitsubishi 3000GT auto parts from Mitsubishi 3000GT Parts and Accessories Click Here. It was imported and sold by Chrysler in North America but assembled in Japan. It is subdivided into various group categories and each section contains diagnosis, disassembly, repair, and installation procedures along with complete specifications and tightening references.

Use of this manual will aid in properly performing any servicing necessary to maintain or restore the high levels of performance and reliability designed into these outstanding vehicles. Your comment must be approved by our moderators after sending it. Comment I accept the privacy policy. Discover everything Scribd has to offer, including books and audiobooks from major publishers. Start Free Trial Cancel anytime. Report this Document Download Now Save Save ServiceManual Mitsubishi 3000GT 19921996 Vol.2 El. For Later 88% 88% found this document useful 8 votes 6K views 738 pages ServiceManual Mitsubishi 3000GT 19921996 Vol.2 Electrical Uploaded by NoAccount888 Description ElectricalVol.2 Full description Save Save ServiceManual Mitsubishi 3000GT 19921996 Vol.2 El. For Later 88% 88% found this document useful, Mark this document as useful 13% 13% found this document not useful, Mark this document as not useful Embed Share Print Download Now Jump to Page You are on page 1 of 738 Search inside document Browse Books Site Directory Site Language English Change Language English Change Language. The GT was sold as the GTO in Japan and Dodge Stealth in the US, and was available in varying engine and trim specs. UK cars were limited to top-of-the-line versions and came fully-specified. Developing a small but loyal following, owners appreciate the supercar humbling straightline performance and luxuriously appointed interior. Which Mitsubishi 3000GT to buy. With the 3000GT being available for a number of years before its UK launch, there are a number of grey market imports around in various engine and trim specifications. Be very wary of extensively modified or abused cars and get any potential purchase

checked out thoroughly, as they are complex machines and only specialists will be able to carry out a comprehensive diagnosis. UK cars were only sold with the twinturbo 3.0litre engine, fitted with a five or later sixspeed manual transmission.

Quick straightline acceleration was aided by excellent traction off the line, however agility was hampered by the high curb weight. The 3000GT is certainly more sports tourer than sports coupe, and for the money few cars can compete with the GT for continent crushing ability. The complexity and advanced technology that differentiated the 3000GT was also its biggest flaw. As production continued some of the more advanced systems were dropped to save on complexity and costs, for this reason the later cars are perhaps preferable as a secondhand ownership prospect. Imported cars were branded as GTOs, and their specification can vary, with nonturbo 225bhp engines and automatic gearboxes, which are generally regarded as a far less reliable. These models tend to be the cheapest option though, so if you go this route get as comprehensive a history check as possible. A poorly maintained 3000GT is a very effective wallet emptying device. If you're set on one of these 90s technological showcases, then the best advice is to look for the absolute best you can afford. It's almost always more cost effective to get a well sorted car than attempting to fix someone else's modified experiment. The engine and gearbox ECUs that control the complex systems are known to fail. Transfer cases and output shafts can fail so get the transmission checked out thoroughly by a specialist as this is one of the more expensive issues to repair. A recall was carried out early on to resolve transfer case issues. Mitsubishi 3000GT model history 1990 Mitsubishi 3000GTO launched in Japan. Standard features included fourwheel drive rearwheel steering, active aerodynamics, electronicallycontrolled suspension and switchable exhaust 1991 Mitsubishi 3000GT launched in UK, available in top VR4 spec level only 1994 Updated 3000GT with revised exterior styling.

Popup headlights replaced with faired in headlight cluster, sixspeed gearbox introduced and switchable exhaust phased out 1995 Electronic suspension control discontinued. 18inch wheels now standard on VR4 models. A 'good' latemodel 3000GT in unmodified condition can be anywhere between 9000 and 15,000. Higher mileage older cars trade for around 6000. With multiturbo engines, active steering, active aero and electronic suspension all commonplace today, the 3000GT might not sound that impressive, but during the 1990s this was right at the cutting edge. It still provides an unique drive, and if maintained properly can be a great long distance companion as well as an imposing looking weekend car. Thinking of buying a future classic. Then take a look at these potential future classics. All rights reserved. Follow us on Facebook Follow us on Twitter Follow us on YouTube Follow us on Instagram.

<https://ayurvedia.ch/bose-powered-subwoofer-manual>